

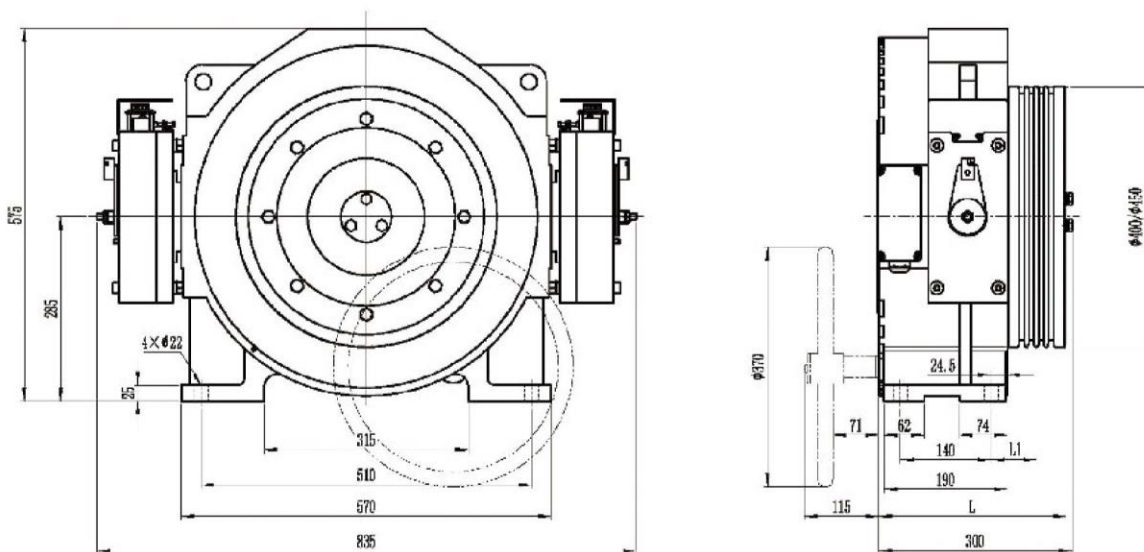
MCK200

Part Danafooss
پارت دنافوز



Voltage	380V
Roping	2:1
Wrap	Single
Elv. Load	(630~1150)kg
Elv. Speed	(0.5~2.5)m/s
Sheave Diam	400mm/450mm
Duty	S5-40%ED
Max. Static Load	4000kg
Weight	350kg
Brake	DC110V 2×1.3A
IP Code	IP41
Ins. Class	F

Dimensions



Spec. Sheet

Type	Spec	Elv Load	Elv Speed	Sheave Dia	Sheave Groove	Current	Power	Speed	Freq	Torque	Poles	L	L1	Undercut Angle
		kg	m/s	mm		A	kW	r/min	Hz	N·m		mm	mm	°
MCK200	630-0.5A	630	0.5	400	4×Φ10×15	6	2.2	48	12.8	430	32	288	69.5	95
MCK200	630-0.63A	630	0.63	400	4×Φ10×15	6	2.7	60	16.0	430	32	288	69.5	
MCK200	630-1.0A	630	1.0	400	4×Φ10×15	10	4.3	95	25.3	430	32	288	69.5	
MCK200	630-1.5A	630	1.5	400	4×Φ10×15	14	6.4	143	38.1	430	32	288	69.5	
MCK200	630-1.6A	630	1.6	400	4×Φ10×15	16	6.9	153	40.8	430	32	288	69.5	
MCK200	630-1.75A	630	1.75	400	4×Φ10×15	16	7.5	167	44.5	430	32	288	69.5	
MCK200	630-2.0A	630	2.0	400	4×Φ10×15	18	8.6	191	50.9	430	32	288	69.5	
MCK200	630-2.0B	630	2.0	450	4×Φ10×15	18	8.5	170	45.3	480	32	288	69.5	
MCK200	800-0.5A	800	0.5	400	5×Φ10×15	8	2.7	48	12.8	540	32	288	69.5	
MCK200	800-0.63A	800	0.63	400	5×Φ10×15	8	3.4	60	16.0	540	32	288	69.5	
MCK200	800-1.0A	800	1.0	400	5×Φ10×15	12	5.4	95	25.3	540	32	288	69.5	
MCK200	800-1.5A	800	1.5	400	5×Φ10×15	18	8.1	143	38.1	540	32	288	69.5	
MCK200	800-1.6A	800	1.6	400	5×Φ10×15	20	8.7	153	40.8	540	32	288	69.5	
MCK200	800-1.75A	800	1.75	400	5×Φ10×15	20	9.4	167	44.5	540	32	288	69.5	
MCK200	800-2.0A	800	2.0	400	5×Φ10×15	23	10.8	191	50.9	540	32	288	69.5	
MCK200	800-2.0B	800	2.0	450	5×Φ10×15	23	10.7	170	45.3	600	32	288	69.5	
MCK200	800-2.5A	800	2.5	400	6×Φ10×15	28	13.5	239	63.7	540	32	300	75.5	
MCK200	800-2.5B	800	2.5	450	5×Φ10×15	29	13.3	212	56.5	600	32	288	69.5	
MCK200	1000-0.5A	1000	0.5	400	5×Φ10×15	10	3.4	48	12.8	670	32	288	69.5	
MCK200	1000-0.63A	1000	0.63	400	5×Φ10×15	10	4.2	60	16.0	670	32	288	69.5	
MCK200	1000-1.0A	1000	1.0	400	5×Φ10×15	15	6.7	95	25.3	670	32	288	69.5	
MCK200	1000-1.5A	1000	1.5	400	5×Φ10×15	23	10.0	143	38.1	670	32	288	69.5	
MCK200	1000-1.6A	1000	1.6	400	5×Φ10×15	26	10.7	153	40.8	670	32	288	69.5	
MCK200	1000-1.75A	1000	1.75	400	5×Φ10×15	26	11.7	167	44.5	670	32	288	69.5	
MCK200	1000-2.0A	1000	2.0	400	5×Φ10×15	28	13.4	191	50.9	670	32	288	69.5	
MCK200	1000-2.0B	1000	2.0	450	5×Φ10×15	28	13.4	170	45.3	750	32	288	69.5	
MCK200	1000-2.5A	1000	2.5	400	6×Φ10×15	34	16.8	239	63.7	670	32	300	75.5	
MCK200	1000-2.5B	1000	2.5	450	6×Φ10×15	36	16.6	212	56.5	750	32	300	75.5	
MCK200	1150-0.5A	1150	0.5	400	5×Φ10×15	12	3.9	48	12.8	780	32	288	69.5	
MCK200	1150-0.63A	1150	0.63	400	5×Φ10×15	12	4.9	60	16.0	780	32	288	69.5	
MCK200	1150-1.0A	1150	1.0	400	5×Φ10×15	17	7.8	95	25.3	780	32	288	69.5	
MCK200	1150-1.5A	1150	1.5	400	6×Φ10×15	29	11.7	143	38.1	780	32	300	75.5	
MCK200	1150-1.6A	1150	1.6	400	6×Φ10×15	29	12.5	153	40.8	780	32	300	75.5	
MCK200	1150-1.75A	1150	1.75	400	6×Φ10×15	29	13.6	167	44.5	780	32	300	75.5	
MCK200	1150-2.0A	1150	2.0	400	6×Φ10×15	33	15.6	191	50.9	780	32	300	75.5	

Remark:

1. This model could be used for either machine room elevator or machine roomless elevator.
2. AC220V rectifier for brake is optional.
3. The above value of undercut angle is recommended based on regular standard. It's optional according to practical condition.